

SAVITRIBAI PHULE PUNE UNIVERSITY
(FORMERLY UNIVERSITY OF PUNE)



BOARD OF SPORTS & PHYSICAL EDUCATION

Ganeshkhind, Pune - 411 007.

(Fax No. 020-25697511, Tel. No. 020- 25601143, 25601142)

Ref. No. UBS/WZ/2019-20/३०३१

Date: 04th December, 2019.

To,

**The Director of Sports / Director of Physical Education / Sports Secretary
of All Participating Universities**

Subject : West Zone Inter University Tennis (Men) Tournaments for the Year 2019-2020.

Ref.: Our Letter Ref. No. UBS/WZIZ/2019-20/2091 dated 27-11-2019

Dear Sir / Madam,

We acknowledged your entry for the above tournament. We are pleased to inform you that Member Secretary, Sports Division, Association of Indian Universities, New Delhi has granted permission to organize above tournament.

I have great pleasure to invite you for WEST ZONE INTER UNIVERSITY TENNIS (MEN) TOURNAMENT which will commence on 03rd to 06th January, 2020.

1. This tournament will be held under the auspicious of the Savitribai Phule Pune University, Pune at R. N. CHANDAK ARTS, J. D. BYTCO COMMERCE & N. S. CHANDAK SCIENCE COLLEGE, NASHIK ROAD – 422 101 (DIST. NASHIK) (MAHARASHTRA) a college affiliated to the Savitribai Phule Pune University, Pune. Nashik is an old city especially famous for the visit of Lord Prabhu Ramchandra and the Kumbha Mela.
2. Four copies of the Eligibility Performa will need to be submitted to the undersigned in the managers meeting as per the regulation and norms of AIU.
3. The organizing committee reserves the right to change the venue/date and fixtures if necessary. The decision of the organizing committee will be final. **All the matches will be played as per AITA rules as adopted by the AIU and the organizing committee.** All the teams are requested to report at the match venue 30 minutes before the start of match in proper kit.
4. All the matches will be played with the ball as prescribed by AITA. Balls will have to be purchased at the venue site. The matches will be conducted as per AIU directions and officiating fees Rs.1,500/- per match will be charged from each team.
5. All players should submit identity cards of current session, photocopies of +2 exam marks sheet, date of birth certificate, in case of players in PG must also submit their final mark sheet of degree course duly attested by competent authority.
6. Accommodation will be provided at the Hotels in the city on sharing basis. The teams will be provided bedding on rent basis. Accommodation will be provided 24 hours before the match and teams will be required to leave 24 hours after their last match. (Details enclosed)
7. The manager of each team shall deposit a sum of Rs.5,000/- to the cashier of the department as security on arrival, towards accommodation facility and will be fully responsible for their players to maintain discipline at the campus. The amount will be returned when the team leaves the campus deducting amount of accommodation charges & damages if any.

8. In case of misbehaviour of any kind by players/coach/manager authorities reserve the right to take any disciplinary action, even to the extent of confiscating the security deposit, cancelling the participation of the concerned university and sending a report of the misconduct to the Vice Chancellor of the concerned University, copy to AIU for further action.
9. A meeting of all managers and coaches of the team will be held on 02nd January, 2020 at 4 pm at the Hotel Rawail Seble, Trimbak Road, Nashik.
10. Participation teams must bring their University Flag and it is mandatory to participate in the opening ceremony on 03rd January, 2020. Matches for all the above games will start from 03rd January, 2020.
11. Kindly ensure that your University has paid the annual subscription fees for the year 2019-20 and deposit the Xerox copy of the same if required.
12. The fixture of the above tournaments is attached. The details of the matches will be intimated during the manager's meeting on 02nd January, 2020 at 4 pm, the date and time final round will be announced after the completion of the knock-out matches.
13. In case of any protest a fee of Rs.2,000/- will be charged. the protest can be done within two hour of conclusion of the match.
14. The weather of Nashik in the month of January is pleasant. Kindly bring the warm clothes.

SOME IMPORTANT INSTRUCTIONS TO THE MANAGER:

Reception:

Reception Booth Shall Function From 02nd January, 2020 from 8.00 am to 09.00 pm at Nashik Road Railway Station on Platform No. 1.

If teams are purporting late night or early morning, please inform the concern authority about your travel plan.

At Nashik Road Railway station you can contact our assistance will help you for transport and accommodation from Railway station/Bus stand to the destination on payment of necessary charges.

Member Reception Committee: (At Nashik Road Railway Station)

1. Prof. Laxman Shendge – 9960258646
2. Dr. Akash Thakur – 9371566678
3. Prof. Vijay Sukte – 8888867592
4. Prof. Shashikant Khemnar – 8888993752
5. Prof. Tejab Singh Patil – 7887673070

How to reach to the venue (Nashik): Nashik is well connected to the rail as well as by road Nashik Road is on Central Railway station between Bhusawal to Mumbai.

By Road: Buses from Nashik are available directly from Mumbai, Pune, Ahmedabad, Surat, Ujjain, Indore, Nagpur, Amravati, Aurangabad, Akola and Baroda.

Registration Counter: Hotel Rawail Seble, Trimbak road, Near Govt. Milk Dairy. Nashik.

ABOUT TENNIS COURTS: All courts are clay with all facility.

TENNIS BALL: Slazenger Championship Tennis Balls will be available at the venue on payment.

ACCOMODATION:

Accommodation will be provided in Hotels outside the premises with nominal charges of Rs.300/- per day per player. The Team Manager & Coach will also be charged.

In charge Accommodation (1) Prof. Gokul Kale (9766176350)

Hotel Rawail Seble, Near Govt. Milk Dairy, Trimbak Road, Nashik 0253-2575712, 2575713

In Charge Accommodation (2) Prof. Sudarshan Nagre (9922285644)

Hotel Manorath, Pandit Colony, Saharanpur Road, Near Nashik Municipal Corporation, Nashik 0253-2313819, 2313879

Tournament will be conducted at two (2) different venues:

1. NIWEC VENUE – Prof. Tanaji Kandekar – 9823790539,8788987962
2. NDTA VENUE – Prof. Shirish Nandurdikar – 9850692001

The tournament will be held in two session 8.30 hrs to 13.00 hrs and 14.30 hrs to 17.30 hrs.

Name of the Local Organising Secretary, Nashik

Prof. Dilip Londhe – 09822876136/8830928543

It is quite possible that a team may have to play matches in both the sessions. Please intimate about this possibility to the players and team managers. No complaint will be entertained on this count.

For any further information kindly contact Prof. Dilip Londhe on +91-9822876136 or Shri. Manohar Kunjir on +91-9673362961/9096715222.

Thanking you and hoping for your co-operation for making tournament a success and we hope that the participating teams will enjoy Nashik.

Yours faithfully,



(Dr. Deepak B. Mane)

Director,

Board of Sports & Physical Education,

Dean, Faculty of Inter-Disciplinary Studies

Enclosure: Fixture for Championship.

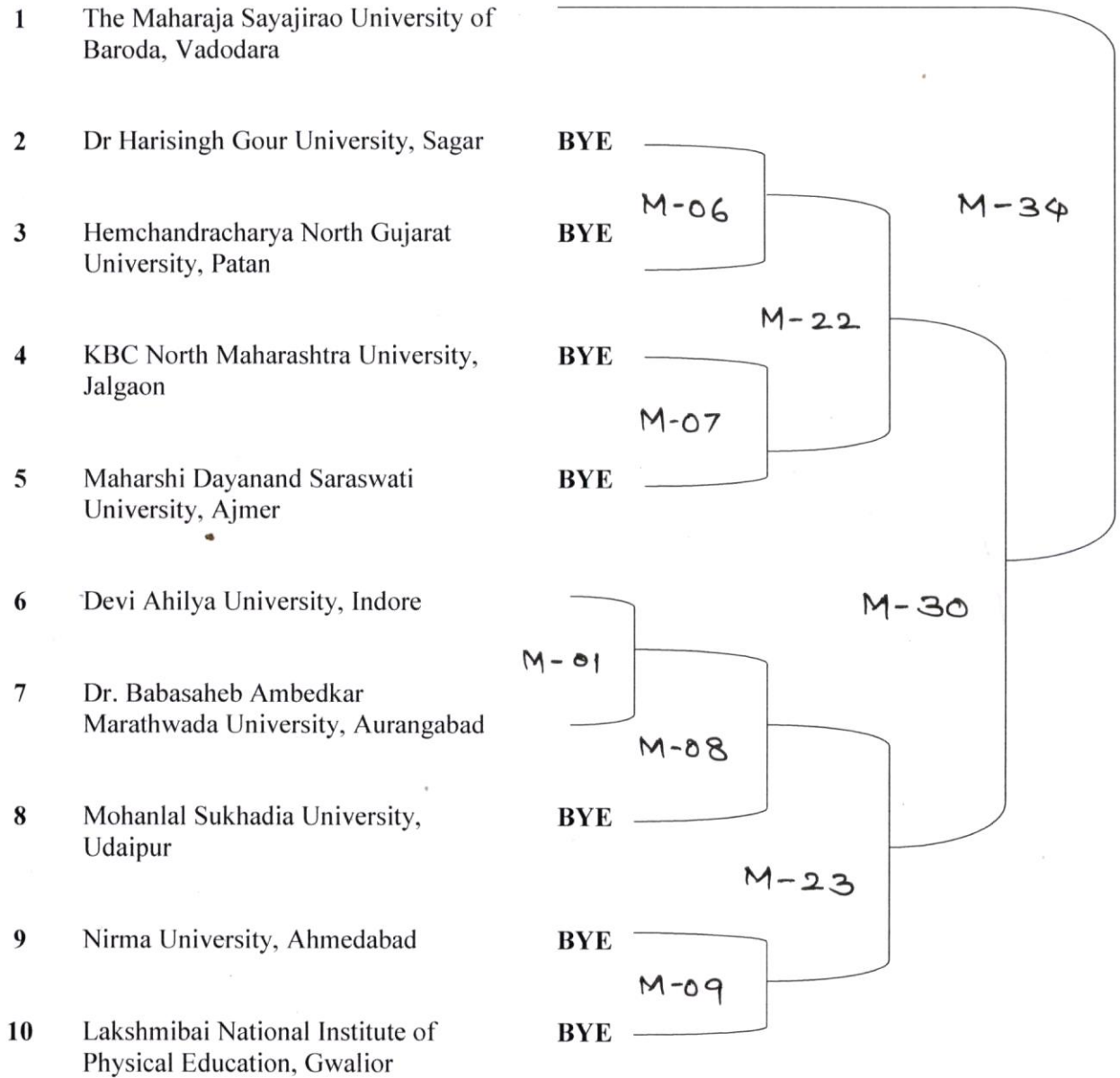
- Copy to :**
- 1) Hon' Vice Chancellor, Savitribai Phule Pune University, Pune
 - 2) The Registrar, Savitribai Phule Pune University, Pune
 - 3) Dr. Baljit Singh Sekhon [Joint Secretary (Sport)], AIU House, New Delhi – 110002
 - 4) The Finance & Accounts officer, Savitribai Phule Pune University, Pune
 - 5) The Principal, RNC, JDB & NSC College, Nashik Road, Nashik
 - 6) Director of Sports & Physical Education, RNC, JDB & NSC College, Nashik Road.

West Zone Inter University Tennis (Men) Tournament 2019-20

Venue: RNC Arts, JDB Commerce & NSC Science College, Nashikroad, Nashik (M. S.)

Date of Tournament : (03rd to 06th January, 2020)

POOL A

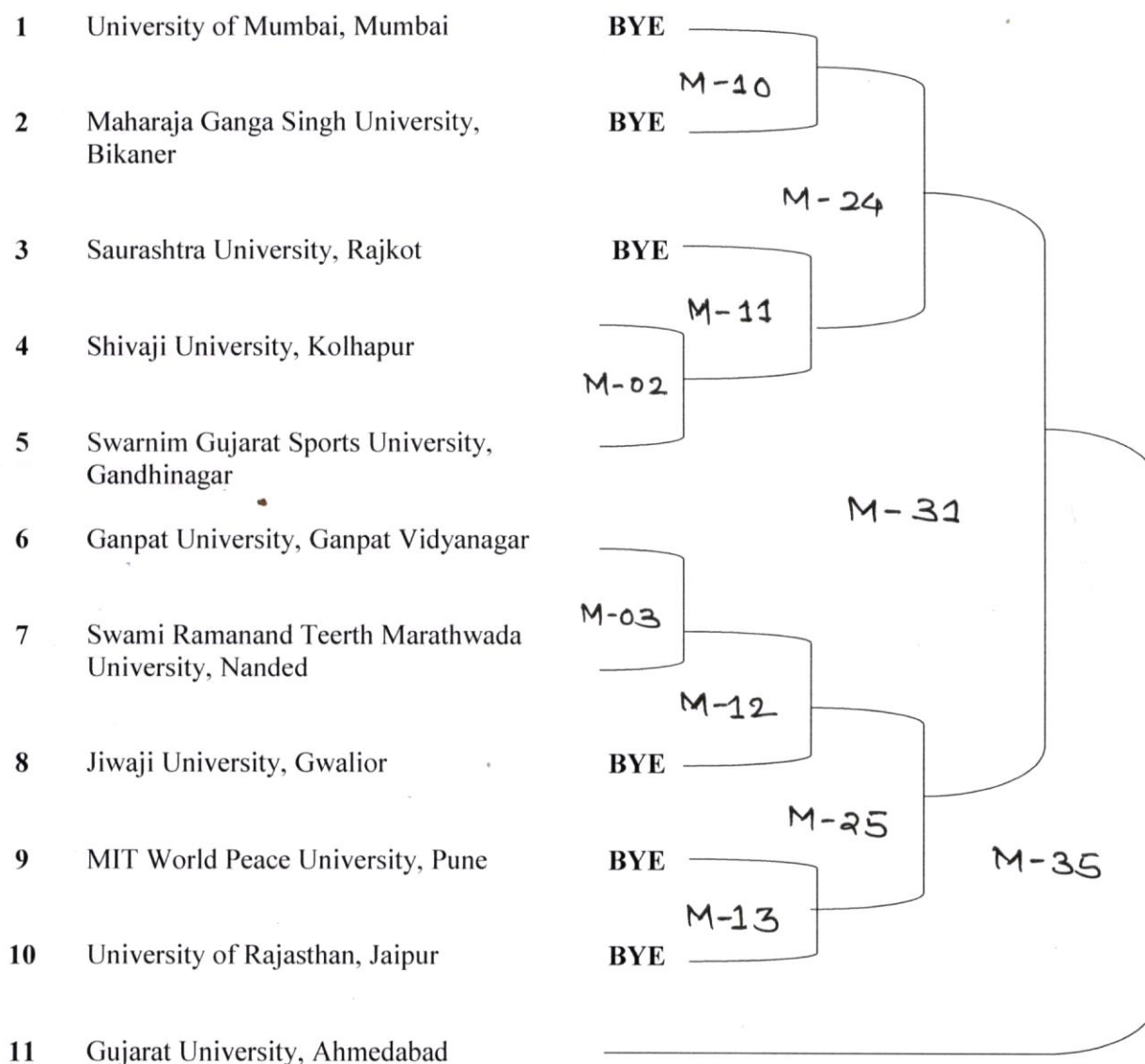


West Zone Inter University Tennis (Men) Tournament 2019-20

Venue: RNC Arts, JDB Commerce & NSC Science College, Nashikroad, Nashik (M. S.)

Date of Tournament : (03rd to 06th January, 2020)

POOL B



(Handwritten signature)

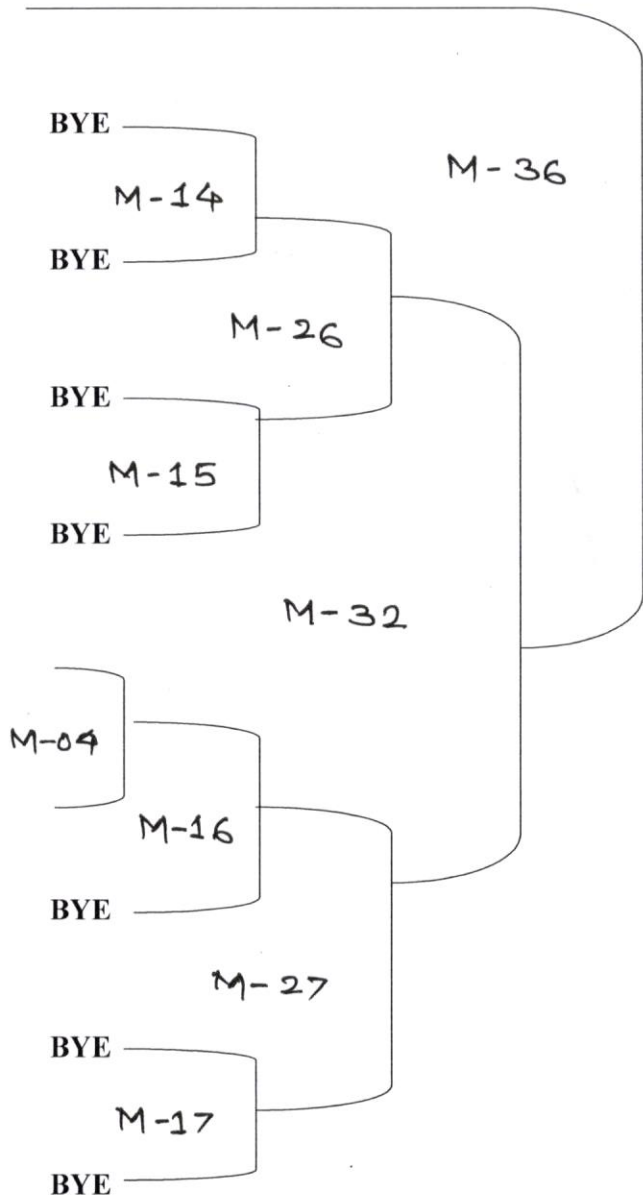
West Zone Inter University Tennis (Men) Tournament 2019-20

Venue: RNC Arts, JDB Commerce & NSC Science College, Nashikroad, Nashik (M. S.)

Date of Tournament : (03rd to 06th January, 2020)

POOL C

- 1 Barkatullah University, Bhopal
- 2 Sant Gadge Baba Amravati University, Amravati
- 3 Janardan Rai Nagar Rajasthan Vidyapeeth, Udaipur
- 4 Rashtrasant Tukdoji Maharaj Nagpur University, Nagpur
- 5 Sardar Patel University , Vallabh Vidyanagar
- 6 MIT ADT University, Loni, Pune
- 7 Raj Rishi Bhartrihari Matsya University, Alwar
- 8 Punyashlok Ahilyadevi Holkar Solapur University, Solapur
- 9 Veer Narmad South Gujarat University, Surat
- 10 Maharaja Krishnakumarsinhji Bhavnagar University, Bhavnagar



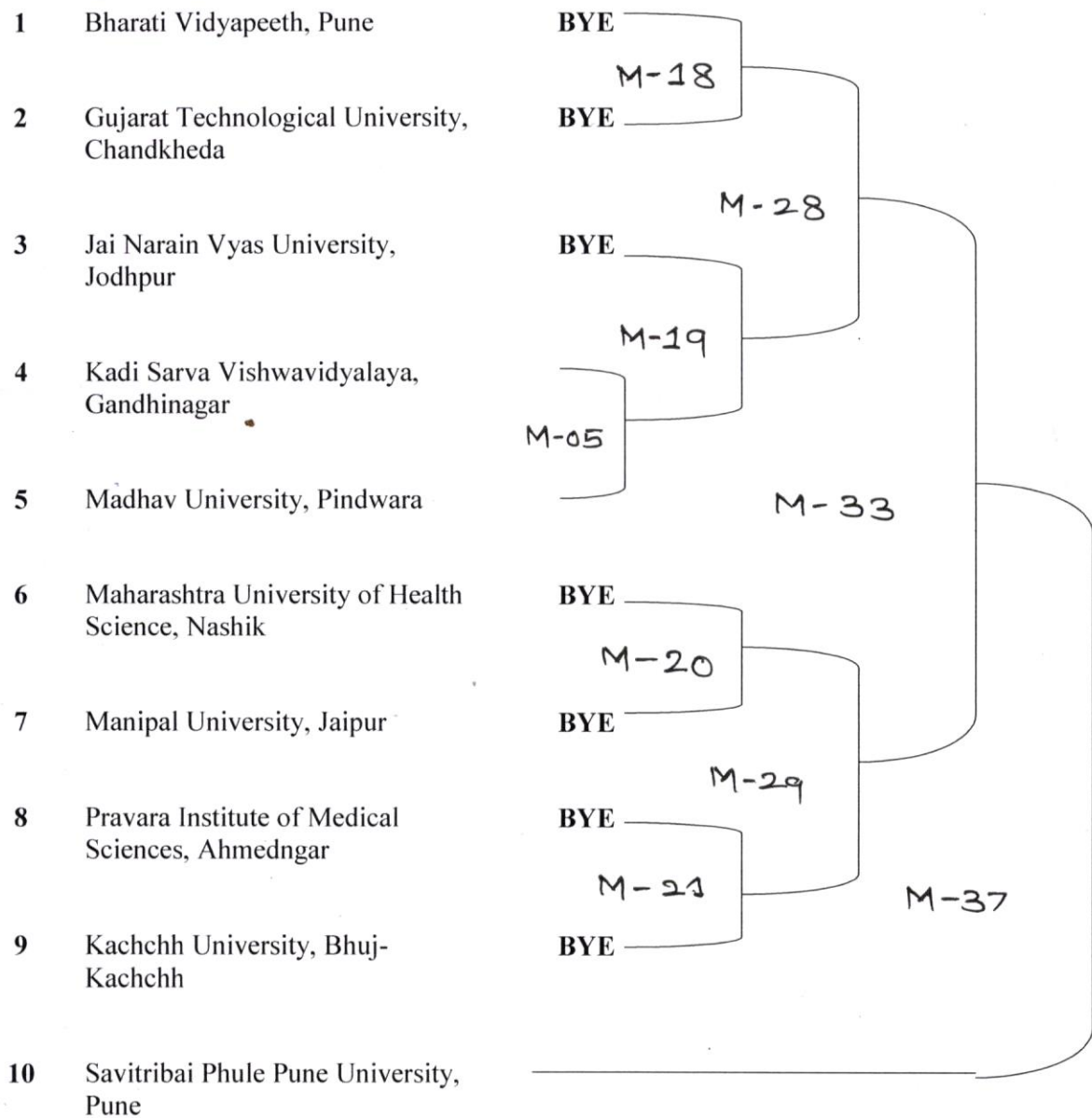
Handwritten signature

West Zone Inter University Tennis (Men) Tournament 2019-20

Venue: RNC Arts, JDB Commerce & NSC Science College, Nashikroad, Nashik (M. S.)

Date of Tournament : (03rd to 06th January, 2020)

POOL D



(Handwritten signature)